



# DOSATRON®

WATER POWERED DOSING TECHNOLOGY

# 3 m<sup>3</sup>/h

## D 3 RANGE



### SPECIFICATIONS

- Injection Range: **0.03 - 25 %\***  
[1 : 3000 - 1 : 4]
- Water flow range\*\* : **10 l/h - 3 m<sup>3</sup>/h**  
[0.16 l/mn - 50 l/mn]  
[1/3 US Pint/min - 14 US GPM]
- Operating pressure: **0.3 - 6 bar\***  
[4.3 PSI - 85 PSI]
- Concentrated additive injection: **0.003 - 300 l/h\***  
[0.017 Fl. oz./min - 1.4 US GPM]

\* Depending on models - see models on the back  
 \*\* For other fluids than water, please contact us

### A unique technology associating all dosing functions

#### Dosing Technique:

Non-electric proportional

#### Energy Source:

Water flow and pressure

#### Integrated functions:

- **Metering:** volumetric hydraulic motor
- **Injecting:** continuous proportional injection of liquid or soluble concentrate
- **Regulating:** proportionality servo-controlled by the water flow
- **Mixing:** integrated mixing

#### Package contents:

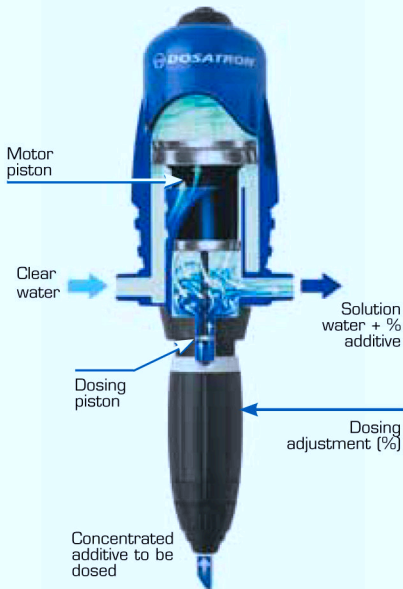
- 1 Dosatron, 1 wall bracket,
- 1 Suction tube , 1 Owner's manual



# D 3 RANGE

## Operating principle

Installed directly in the water supply line, the Dosatron operates by using the flow of water as the power source. The water activates the Dosatron, which takes up the required percentage of concentrate directly from the container and injects it into the water. Inside the Dosatron, the concentrate is mixed with the water, and the water pressure forces the solution downstream. The dose of concentrate will be directly proportional to the volume of water entering the Dosatron, regardless of variations in flow or pressure, which may occur in the main line.



## Specifications

|   |  |
|---|--|
| <b>General</b>  |  |
| - Maximum operating water temperature                       | 40° C [104° F]   |
| - Minimum operating water temperature                       | 5° C [41° F]   |
| - Dosing rate   | i.e. adjustment at 1 %<br>= 1 : 100 = 1 V concentrate + 100 V water                  |
| - Average dosing accuracy *                                 | ± 10 %   |
| - Repeatability   | +/- 3 % (API 675 standard)   |
| - Pressure loss *   | 0.2 - 2.3 Bar [3 - 33 PSI]   |
| <b>Other integrated functions</b>                           |  |
| - Internal motor filter                                     | no   |
| - Inlet/Outlet  | 3/4" M : BSP- NPT<br>Ø 20 x 27 mm  |
| - Built-in by-pass  | option   |
| - Built-in airbleeder                                       | yes  |
| - Built-in anti-siphon device                               | no   |
| <b>Motor</b>  |  |
| - Motor   | differential hydraulic piston  |
| - Motor capacity  | 0.53 L [0.140 US gallons]<br>(1 cycle, for every 2 clics)<br>integrated              |
| - Mixing chamber  | integrated   |
| <b>Dosage</b>   |  |
| - Injection   | internal at the outlet   |
| - Dosing plunger  | simple effect up to 10%,<br>double effect > 10%                                      |
| - Injection check valve                                     | spring-loaded with seal  |
| <b>Suction</b>  |  |
| - Self-priming  | yes  |
| - Maximum viscosity of concentrate *                        | 200 - 800 cPs to 20°C [68°F] -<br>from 400 cPs, V kit recommended<br>for dosage > 2% |
| - Maximum vertical or horizontal suction of the concentrate | 4 m [13ft]   |
| - Strainer  | yes - foot strainer with weight  |

\* Depending on models and operating conditions (Charts on demand)

### Markets

Environment - Hygiene - Water treatment - Vehicle wash - Metal processing - Food processing - Graphic Arts - Horticulture...

### Principal applications

Disinfecting - Cleaning - Fertigation - Phytosanitation - Lubrication - PH/TH Correction - Sanitation - Flocculation - Vehicle wash...

### Installation

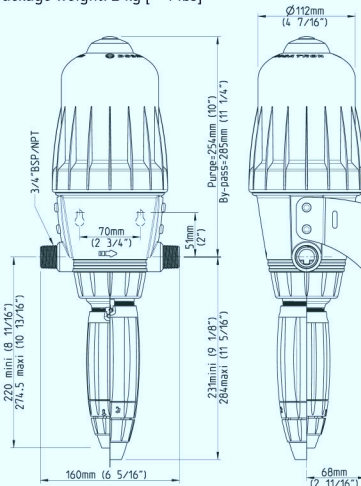
**Regulations:** Refer to local water regulations, prior to installing your Dosatron.

**To optimize your Dosatron, we advise to:**

- Install a filter (300 mesh [60 microns]) upstream, depending on your water quality.
- Change the dosing seals at least once a year.
- Rinse as often as possible with clear water.
- Turn off the water supply and allow the pressure to drop to zero before adjusting the injection rate.
- Install necessary protections for excess flow, excess pressure and water hammer (anti-hammer flow/pressure device).
- It is recommended that you should place an anti-siphon valve on the downstream side of the dosing pump in installations in which there is a risk of siphoning.
- Install your Dosatron on a total by-pass line.
- For all other installation advice, please consult us.

### Size D3 RE 2 - D 3RE 5 / 10

- Package size: 55.4 x 16.8 x 14.4 cm [21 7/8" x 6 5/8" x 5 3/4"]
- Package weight: 2 kg [~4 lbs]



## Standard material

Housing: special polypropylene, HT

Motor Piston: polypropylene, polyamide, VF or HT, peek, PVDF

Injection area: polypropylene, polyethylene, hastelloy (check valve spring)

Injection hose: PVC or polyethylene

## Available options

(■ : Option ● : Standard ★ : not available or not necessary for this model)

### Optimized compatibility

- AF: Recommended seals for alkaline concentrate
- VF: Recommended seals for acids, oils, odour- or pest control concentrates
- K: for highly concentrated acids (> 15 %)
- PVDF: Housing
- IE: External injection
- V: Kit for viscous concentrate
- Injection hose: Special material for hose and foot strainer available



PVDF housing for highly concentrated acids and other aggressive concentrates



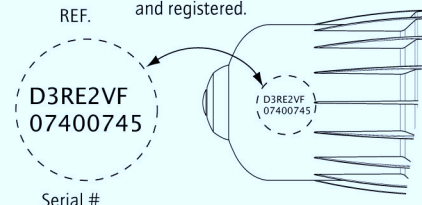
Accurate adjustment at 1.5 %

### Optimized installation

- When installing the DOSATRON on a hot water system (60°C/140°F max.)
- BP : integrated by-pass
- ★ Other fittings
- Strap
- Other: please contact us

These options allow adapting your Dosatron to your needs. Contact our technical service to help determine what option you may need.

Each Dosatron unit is factory tested and registered.



CUSTOMER SERVICE - SERVICE CLIENTÈLE

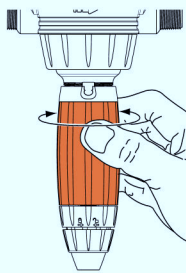
# MGE

Distributed in India by:  
**MGE Graphic Systems India Pvt Ltd**  
O-197, Sector-1, DSIIIDC Industrial Park,  
Bawana, Delhi, 110039

Tel : +91 (0) 931 2267811  
Email : sales@mgeindia.com  
Web : www.mgeindia.com

This document does not form a contractual engagement on the part of Dosatron International and is for information only. Dosatron International reserves the right to alter product specification or appearance without prior notice. © DOSATRON INTERNATIONAL S.A.S. 2007

## Proportional injection externally adjustable



The injection rate is set by lining up the eyelet with the desired ratio on the scale. The amount of injected concentrate is proportional to the amount of water coming into the Dosatron: i.e. adjustment at 1% = 1 : 100 = 1 volume of concentrate + 100 volumes of water.



## The 3 m³/h range

| REF.                       | DOSAGE       | PRESSURE    |
|----------------------------|--------------|-------------|
| <b>EXTERNAL ADJUSTMENT</b> |              |             |
| D 3 RE 3000                | 0.05 - 0.3 % | 0.3 - 6 bar |
| D 3 RE 2                   | 0.2 - 2 %    | 0.3 - 6 bar |
| D 3 RE 5                   | 0.5 - 5 %    | 0.3 - 6 bar |
| D 3 RE 10                  | 1 - 10 %     | 0.5 - 6 bar |
| D 3 RE 25*                 | 5 - 25 %     | 0.5 - 4 bar |

\* D 3 RE 25 - 2 m³/h limit

Other product lines available to treat water flows up to 0.7 m³/h, 1.5 m³/h, 4.5 m³/h, 8 m³/h, 20 m³/h, 30 m³/h, 60 m³/h... For special models, accessories and particular systems: please consult us.

## DOSATRON INTERNATIONAL S.A.S.

Rue Pascal - B.P. 6 - 33370 TRESSSES (BORDEAUX) - FRANCE  
Tel. 33 (0)5 57 97 11 11 - Fax. 33 (0)5 57 97 11 29 / 33 (0)5 57 97 10 85  
e.mail : info@dosatron.com - http://www.dosatron.com